

LED SHOE BOX LIGHT

Shoe Box series

LED Lighting System-50,000Hours+ L70
Commercial/Architectural Grade

Technology at Word for you

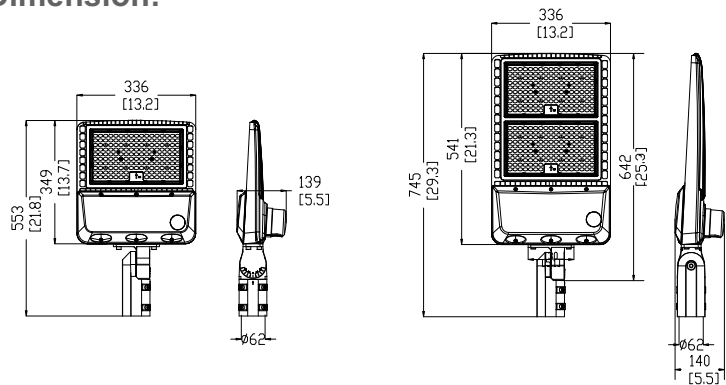
- Architectural UV resistant powder coat finish
- UL&CUL DLC Premium
- System Watts:60W/100W/150W/200W/300W
- Voltages: 100-277Vac/ 200-480Vac
- Luminous Efficacy:140lm/W
- IP Rating:IP65
- Operating Temp: -30 °C to +50 °C
- Light Distribution:T2/T3/T4/T5
- Dimmable:0-10V Dimmable
- Power Fact(PF) :0.95
- IK Degree:IK08
- Finish:Black/Bronze/White
- Surge Protection:6KV-10KV
- Color Temperature: 4000K/4500K/5000K/5700K
- Mounting Arms: Slip Fitter(SF) / Trunnion(TR) / Direct(DI)



Features:

The Shoe Box series evenly illuminates walkways, streets and parking areas. The classic design of this luminaire seamlessly efficient and long-lasting, this shoe box is an ideal replacement for HID. Exceptional high-brightness LEDs result in higher light levels and significant energy savings. High efficiency 5700K, 70+CRI LEDs mounted to a metal-core circuit board and aluminum heat sink, ensure optimal thermal management and long life.

Dimension:



ORDERING INFORMATION

Item code	Watts	Lumens	Operation Vol.	Color Temperature	Starting Temperature	Replace HID
SB-60W	60W	8100 lm	100-277 V/200-480 V	4000K/4500K/5000K/5700K	-30 °C	250-350W
SB-100W	100W	13500 lm	100-277 V/200-480 V	4000K/4500K/5000K/5700K	-30 °C	250-350W
SB-150W	150W	20250 lm	100-277 V/200-480 V	4000K/4500K/5000K/5700K	-30 °C	400-500W
SB-200W	200W	27000 lm	100-277 V/200-480 V	4000K/4500K/5000K/5700K	-30 °C	550-650W
SB-300W	300W	40500 lm	200-480 V/200-480 V	4000K/4500K/5000K/5700K	-30 °C	850-950W



Web: www.litetron.us
Email: pibinc@gmail.com

All right reserved @ LITETRON